

ziron

UniBase™ System
By Nikola Khoury

Multi-Clicq™ System

ARTIC® NP
Conical Connection



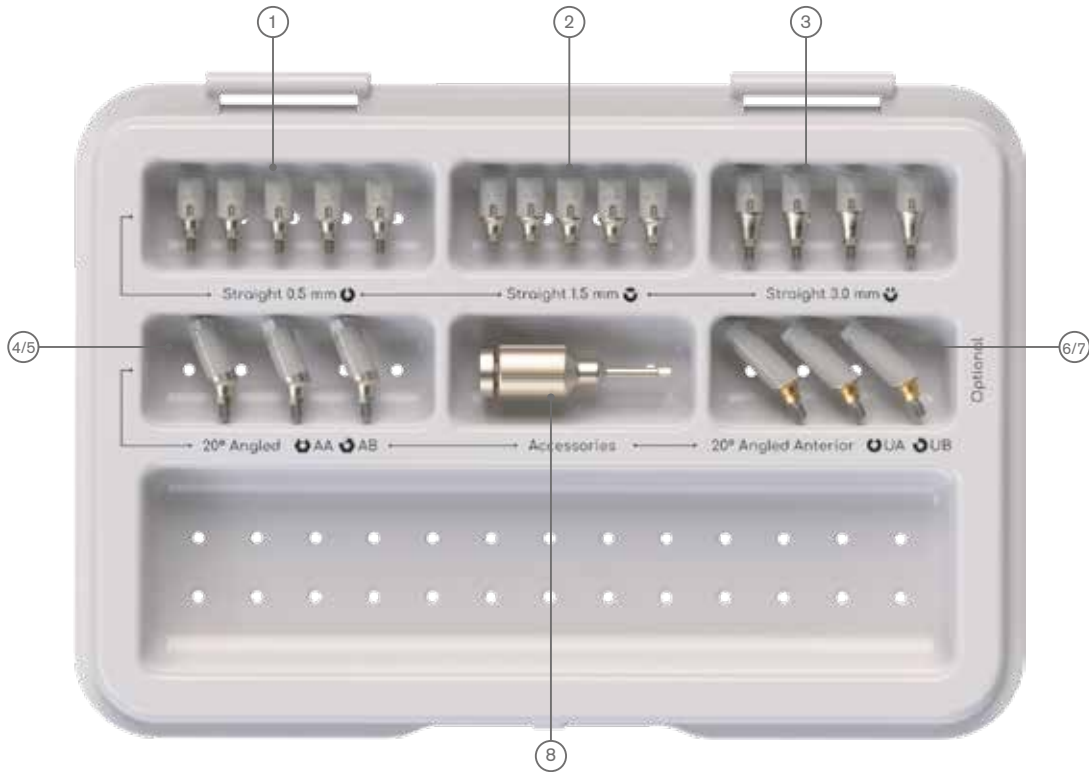
Digital Dentistry

UniBase™ System

By Nikola Khoury

Abutment Level Coded Scan Posts

Patent Pending



Scan Post - Professional & Starter Kit

Conical Connection	Basic Kit	Starter Kit	Professional Kit
ARTIC® NP	SP-NA-NPBK*	SP-NA-NPSK*	SP-NA-NPPK

Scan Post - Basic Kit

- 1 - Straight Scan Post H 0.5mm - 5 pcs / 3 pcs*
- 2 - Straight Scan Post H 1.5mm - 5 pcs / 3 pcs*
- 3 - Straight Scan Post H 3.0mm - 4 pcs / 2 pcs*
- 4 - Hand Driver



Scan Post - Professional Kit

- 1 - Straight Scan Post H 0.5mm - 5 pcs
- 2 - Straight Scan Post H 1.5mm - 5 pcs
- 3 - Straight Scan Post H 3.0mm - 4 pcs
- 4 - 20° Angled Scan Post - Standard AA Type - 2 pcs
- 5 - 20° Angled Scan Post - Standard AB Type - 1 pcs
- 6 - 20° Angled Scan Post - Anterior UA Type - 2 pcs*
- 7 - 20° Angled Scan Post - Anterior UB Type - 1 pcs*
- 8 - Hand Driver

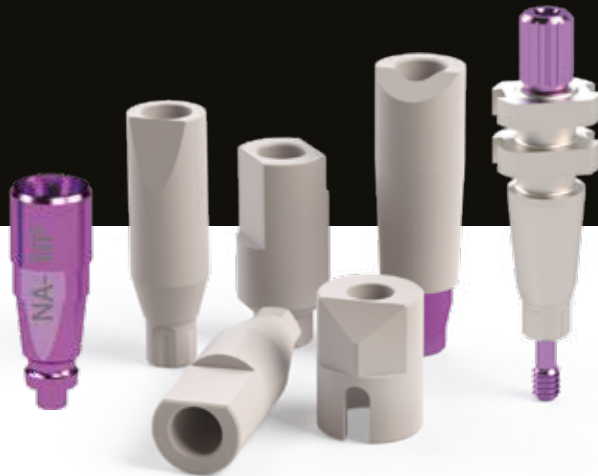
Scan Post - Starter Kit

- 1 - Straight Scan Post H 0.5mm - 3 pcs
- 2 - Straight Scan Post H 1.5mm - 3 pcs
- 3 - Straight Scan Post H 3.0mm - 2 pcs
- 4 - 20° Angled Scan Post - Standard AA Type - 1 pcs
- 5 - 20° Angled Scan Post - Standard AB Type - 1 pcs
- 6 - 20° Angled Scan Post - Anterior UA Type - 1 pcs*
- 7 - 20° Angled Scan Post - Anterior UB Type - 1 pcs*
- 8 - Hand Driver

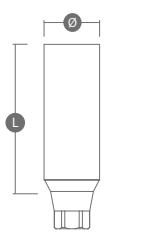


UniBase™ System

By Nikola Khoury

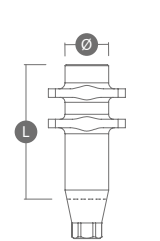


Digital and Manual Impression



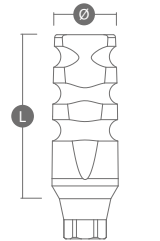



Digital Scan Body Classic Implant Level Scan

	
L	11mm
Ø	4mm
Conical Connection	
ARTIC® NP 	SB-NA-NP

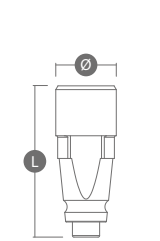


Open Tray Transfer

	
L	12mm
Ø	3.6mm
Conical Connection	
ARTIC® NP 	OT-NA-NP

Closed Tray Transfer

		
L	9mm	12mm
Ø	3.8mm	3.8mm
Conical Connection		
ARTIC® NP 	CT-NA-NPSN	CT-NA-NPSN

Digital Implant Analog

	
L	10mm
Ø	3.5mm
Conical Connection	
ARTIC® NP 	DIA-NA-NP

UniBase™ System

By Nikola Khoury

Straight Titanium Bases



UniBase™ - Straight Ti-Base

	0.5mm 4.5mm	1.5mm 4.5mm	3.0mm 4.5mm	0.5mm 4.5mm	1.5mm 4.5mm	3.0mm 4.5mm
Conical Connection	Anti-Rotational / Engaged			Rotational / Non-Engaged		
ARTIC® NP	TBC-NA-NP	TBC-NA-NP15	TBC-NA-NP30	TBC-NA-NPR	TBC-NA-NP15R	TBC-NA-NP30R

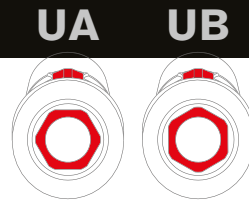


UniBase™ System

By Nikola Khoury

20° Angled Ti-Bases

Patent Pending



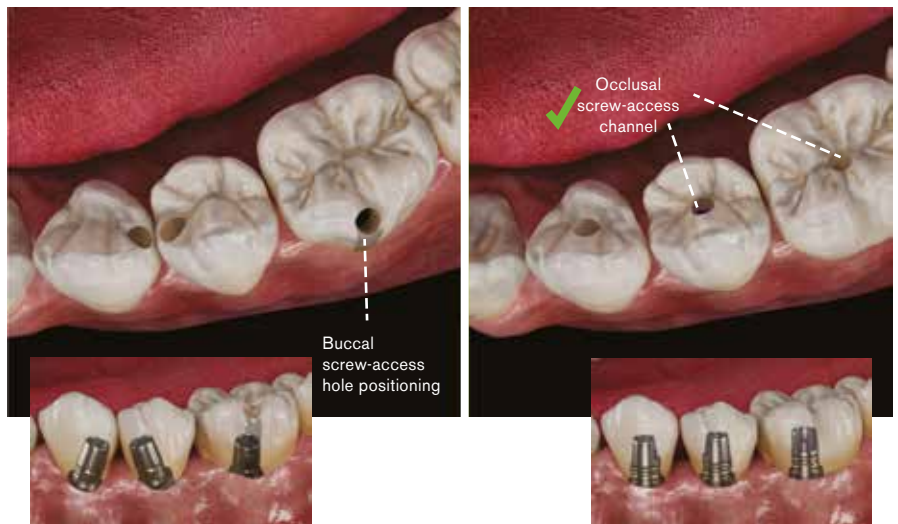
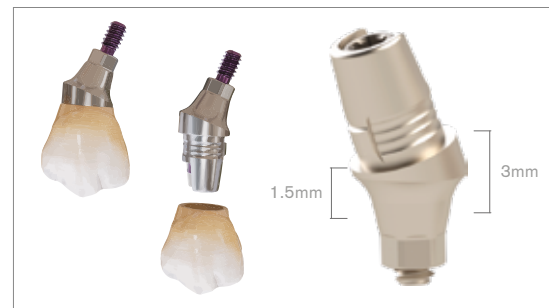
20° Angled Ti-Base - Anterior (U Type)

	UA	UB
H / G	0.7mm/0.7mm	0.7mm/0.7mm
Ø	4.5mm	4.5mm
Conical Connection		
ARTIC® NP	TBC-NA-NP2007UA	TBC-NA-NP2007UB

20° Angled Ti-Base - Standard (A Type)

	AA	AB
H / G	1.5mm/3.0mm	1.5mm/3.0mm
Ø	4.5mm*	4.5mm*
Conical Connection		
ARTIC® NP	TBC-NA-NP2015A	TBC-NA-NP2015B

* Zimax® WP Ø 5.2mm



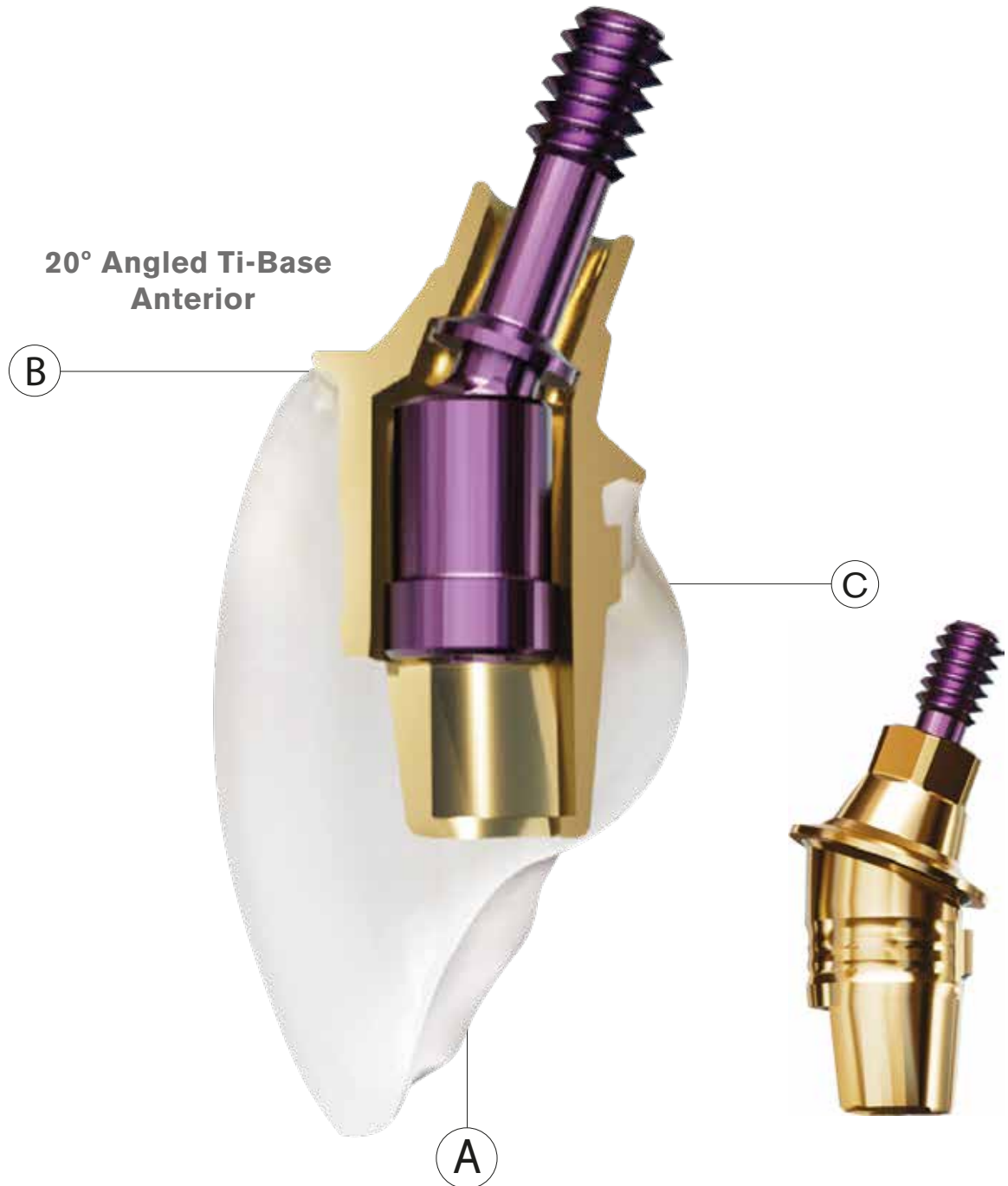
UniBase™ System

By Nikola Khoury

20° Angled Ti-Bases - Characteristics



⚠ Max. Tightening
Torque 22-25 NCM



20° Angled Ti-Base Anterior

B

C

A

A-Simplicity!

A unique architectural design allows for the use of a standard screwdriver when mounting the UniBase, no special tools necessary.

B-Engineering!

The flat surface of the shoulder makes for an angulated base that interacts with the implant system in the same manner as a non-angulated base, allowing laboratories to use standard CAD/CAM procedures during the milling process.

C-Innovation!

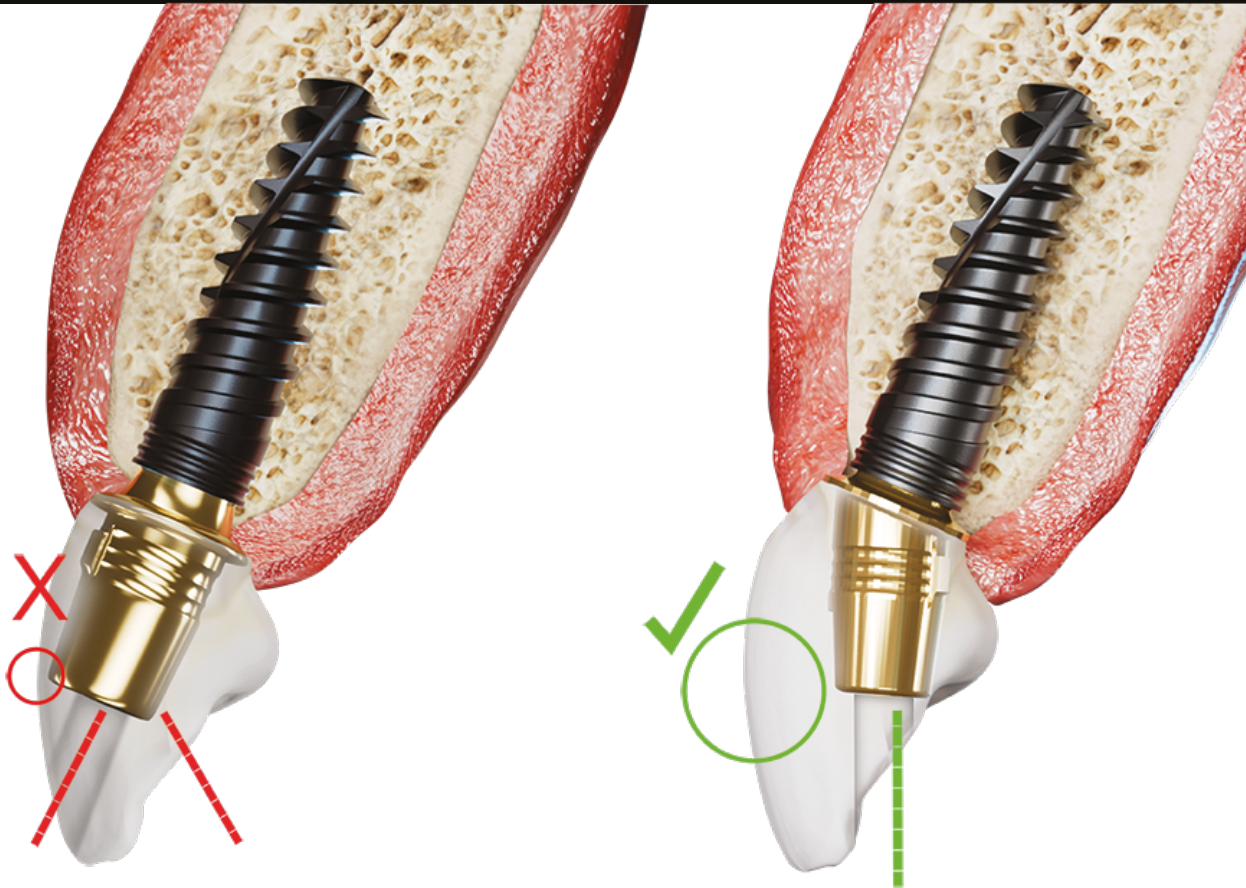
Our UniBase features an exclusive mechanism with a built-in "joint-shaft" that is secured into place during the fabrication process.

UniBase™ System

By Nikola Khoury

20° Angled Ti-Bases

Patent Pending



Unfavorable buccal screw-access channel

Lingual angled screw-access channel

Ideal lingual screw-access channel



Buccal screw-access hole positioning
Metal transparency

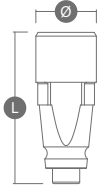

Esthetic crown

Lab Analogs

Digital Implant Analogs



Digital Implant Analog

	
L	10mm
Ø	3.5mm
Conical Connection	
ARTIC® NP	DIA-NA-NP

Connection Chart / Codes

Conical Connection	Connection code
ARTIC® NP	NA-NP
ARTIC® RP	NA-RP
FORTIS® RP	TS-RP
iOS3® SP	OS-SP
MORSY® RP	AR-RP
T-Oss® NP/Mini	TS-NP
Astix® WP	OS-WP
Nyo® RP	GM-RP
Gross® NC	CF-NC
Gross® RC	CF-RC
Internal Hex	Connection code
LAMINA® RP	SV-RP
Lgc® NL	SV-NL
Mass® NP	SV-NP
Zimax® WP	SV-WP



* Digital Analogs

NP / NC / NL / SP Platform Ø 3.5mm
 RP Platform Ø 4.0mm
 WP Platform Ø 4.5mm

* Straight TiBases

NP / NC / NL / SP Platform Ø 4.2mm / 4.5mm
 RP Platform Ø 4.2mm / 4.5mm
 WP Platform Ø 4.8mm / 5.2mm

* Angled TiBases

NP / NC / NL / SP Platform Ø 4.5mm
 RP Platform Ø 4.5mm
 WP Platform Ø 4.8mm / 5.2mm

Enjoy our
Multi Unit
System



Multi Unit System

Classic Line M1.4



Straight MUA Abutment - Classic Line M1.4


					
H	1.5mm	2.5mm	3.5mm	4.5mm	5.5mm
Conical Connection					
ARTIC® NP	MUL-NA-NPNB15	MUL-NA-NPNB25	MUL-NA-NPNB35	MUL-NA-NPNB45	MUL-NA-NPNB55

17° Angled - Classic Line M1.4


						
H/G	1mm/2.5mm	2mm/3.5mm	3mm/4.5mm	1mm/3.5mm	2mm/4.5mm	3mm/5.5mm
Conical Connection	17°	17°	17°	30°	30°	30°
ARTIC® NP	MUL-NA-NPNB1710	MUL-NA-NPNB1720	MUL-NA-NPNB1730	MUL-NA-NPNB3010	MUL-NA-NPNB3020	MUL-NA-NPNB3030

30° Angled


Healing Cap


L 5.2mm
Hex 1.25/Unigrip
MUL-NB-HAUG

MUA Scan Body


L 10mm
Hex 1.25/Unigrip
MUL-NB-SBUG

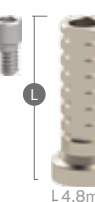
Closed Transfer


L 7.2mm
Hex 1.25/Unigrip
MUL-NB-PUUG


Open Transfer


L1/L2 10.7/4.2mm
Hex 1.25/Unigrip
MUL-NB-OTUG


Temporary Sleeve


L 12mm
Hex 1.25/Unigrip
MUL-NB-SLVTUG

Digital Analog


L 12mm
REF#
MUL-NB-DAN


Titanium Base


L 4.8mm
Hex 1.25/Unigrip
MUL-NB-TBRUG

Adhesive Cap


L 7.5mm
Hex 1.25/Unigrip
MUL-NB-ADRUG

Fixation Screw

Max. 15NCM

L 4.6mm
Hex 1.25/Unigrip
MUL-NB-TSUG

M1.4
Fixation Screw
Max. Torque 15NCM



Multi Unit System

Multi-Clicq™ Line M1.6

Straight MUA Abutment - Multi-Clicq™ Line M1.6

H	1.5mm	2.5mm	3.5mm	4.5mm	5.5mm
Conical Connection					
ARTIC® NP	MUL-NA-NPKS15	MUL-NA-NPKS25	MUL-NA-NPKS35	MUL-NA-NPKS45	MUL-NA-NPKS55

17° Angled - Multi-Clicq™ Line M1.6

H/G	1mm/2.5mm	2mm/3.5mm	3mm/4.5mm	1mm/3.5mm	2mm/4.5mm	3mm/5.5mm
Conical Connection	17°	17°	17°	30°	30°	30°
ARTIC® NP	MUL-NA-NPKS1710	MUL-NA-NPKS1720	MUL-NA-NPKS1730	MUL-NA-NPKS3010	MUL-NA-NPKS3020	MUL-NA-NPKS3030

Healing Cap

L 5.2mm
Hex 1.25/Unigrip
MUL-KS-HAUG

MUA Scan Body

L 10mm
Hex 1.25/Unigrip
MUL-KS-SBUG

Closed Transfer

L 7.2mm
Hex 1.25/Unigrip
MUL-KS-PUPUG

Open Transfer

L1/L2 10.7/4.2mm
Hex 1.25/Unigrip
MUL-KS-OTUG

Temporary Sleeve

L 12mm
Hex 1.25/Unigrip
MUL-KS-SLVTIUG

Digital Analog

L 12mm
REF#
MUL-KS-DAN

Titanium Base

L 4.8mm
Hex 1.25/Unigrip
MUL-KS-TBRUG

Adhesive Cap

L 7.5mm
Hex 1.25/Unigrip
MUL-KS-ADRUG

Fixation Screw

Max. 15NCM
L 4.6mm
Hex 1.25/Unigrip
MUL-KS-TSUG

M1.6
Fixation Screw
Max. Torque 22NCM

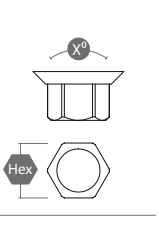
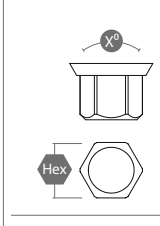
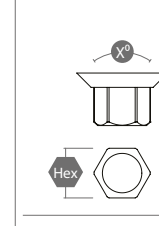
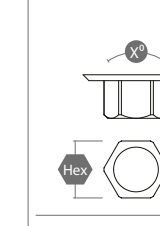


Platform Dimensions

Conical Connection

 <p>$X^\circ - 24^\circ$ Hex - 2.25mm</p> <p>ARTIC® NP NA-NP</p>	 <p>$X^\circ - 24^\circ$ Hex - 2.65mm</p> <p>ARTIC® RP NA-RP</p>	 <p>$X^\circ - 22^\circ$ Hex - 2.5mm</p> <p>FORTIS® RP TS-RP</p>	 <p>$X^\circ - 22^\circ$ Hex - 2.1mm</p> <p>iOS3® SP OS-SP</p>	 <p>$X^\circ - 10^\circ$ Hex - 2.35mm</p> <p>MORSY® RP AR-RP</p>
 <p>$X^\circ - 22^\circ$ Hex - 2.1mm</p> <p>T-Oss® NP TS-NP</p>	 <p>$X^\circ - 16^\circ$ Hex - 2.0mm</p> <p>Nyo® RP GM-RP</p>	 <p>$X^\circ - 22^\circ$ Hex - 2.5mm</p> <p>Astix® WP OS-WP</p>	 <p>$X^\circ - 30^\circ$ Sqr - 2.0mm</p> <p>Gness® NC CF-NC</p>	 <p>$X^\circ - 30^\circ$ Sqr - 2.5mm</p> <p>Gness® RC CF-RC</p>







Internal Hex

 <p>$X^\circ - 90^\circ$ Hex - 2.43mm</p> <p>LAMINA® RP SV-RP</p>	 <p>$X^\circ - 60^\circ$ Hex - 2.0mm</p> <p>Lgc® NL SV-NL</p>	 <p>$X^\circ - 90^\circ$ Hex - 2.1mm</p> <p>Mass® NP SV-NP</p>	 <p>$X^\circ - 90^\circ$ Hex - 2.43mm</p> <p>Zimax® WP SV-WP</p>
--	--	---	--

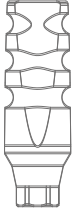
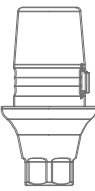


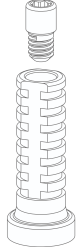
Screw Types

Recommended Tightening Torque

Screw Type

Hex 1.25mm 	iOS3[®] SP T-Oss[®] NP/Mini Lgc[®] NL Mass[®] NP FORTIS[®] RP Astix[®] WP LAMINA[®] RP Zimax[®] WP
Hex 1.25mm 	Hex/Unigrip (Dual)
Unigrip UG 	ARTIC[®] NP ARTIC[®] RP
AR Hex 1.2mm 	MORSY[®] RP
Torx 	Gnoss[®] NC Gnoss[®] RC
GM 	Nyo[®] RP

Tightening Torque

Scan Bodies / Digital Transfers: A/B/C 8-10 NCM 	<table border="1"> <thead> <tr> <th colspan="2">A</th> </tr> </thead> <tbody> <tr> <td>ARTIC[®]</td> <td>NP</td> </tr> <tr> <td>iOS3[®]</td> <td>SP</td> </tr> <tr> <td>T-Oss[®]</td> <td>NP</td> </tr> <tr> <td>Nyo[®]</td> <td>RP</td> </tr> <tr> <td>Gnoss[®]</td> <td>NC</td> </tr> <tr> <td>Gnoss[®]</td> <td>RC</td> </tr> <tr> <td>Lgc[®]</td> <td>NL</td> </tr> <tr> <td>Mass[®]</td> <td>NP</td> </tr> </tbody> </table>	A		ARTIC[®]	NP	iOS3[®]	SP	T-Oss[®]	NP	Nyo[®]	RP	Gnoss[®]	NC	Gnoss[®]	RC	Lgc[®]	NL	Mass[®]	NP
A																			
ARTIC[®]		NP																	
iOS3[®]		SP																	
T-Oss[®]	NP																		
Nyo[®]	RP																		
Gnoss[®]	NC																		
Gnoss[®]	RC																		
Lgc[®]	NL																		
Mass[®]	NP																		
Straight Unibase™ Abutments: A 22 NCM B/C 30 NCM 																			
Angled Unibase™ Abutments: A/B/C 22 NCM 																			
Multi-Clicq™ - Multi-Unit Abutments: A 22 NCM Straight/Angled B/C 30 NCM Straight/Angled 																			
Multi Unit Components: Multi-Clicq M1.6 22 NCM Classic Multi Unit M1.4 15 NCM 	<table border="1"> <thead> <tr> <th colspan="2">B</th> </tr> </thead> <tbody> <tr> <td>ARTIC[®]</td> <td>RP</td> </tr> <tr> <td>FORTIS[®]</td> <td>RP</td> </tr> <tr> <td>MORSY[®]</td> <td>RP</td> </tr> <tr> <td>Astix[®]</td> <td>WP</td> </tr> </tbody> </table> <table border="1"> <thead> <tr> <th colspan="2">C</th> </tr> </thead> <tbody> <tr> <td>LAMINA[®]</td> <td>RP</td> </tr> <tr> <td>Zimax[®]</td> <td>WP</td> </tr> </tbody> </table>	B		ARTIC[®]	RP	FORTIS[®]	RP	MORSY[®]	RP	Astix[®]	WP	C		LAMINA[®]	RP	Zimax[®]	WP		
B																			
ARTIC[®]	RP																		
FORTIS[®]	RP																		
MORSY[®]	RP																		
Astix[®]	WP																		
C																			
LAMINA[®]	RP																		
Zimax[®]	WP																		

a solution you
can **count** on.



www.zinon.dental

Zinon UniBase NA-NP Rev.2024.12